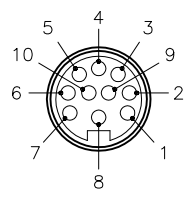
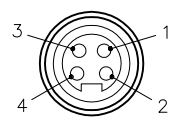


MALE END VIEW (P1)



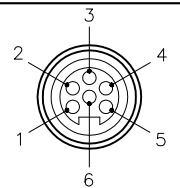
- 1 = PORT 1-1
- 2 = PORT 1-2
- 3 = PORT 2-1
- 4 = PORT 2-2
- 5 = PORT 3-1
- 6 = PORT 3-2
- 7 = DRAIN
- 8 = GROUND
- 9 = PORT 2-4
- 10 = PORT 2-5

FEMALE END VIEW (J1,J3)



- 1 = V-
- 2 = V+
- 3 = SHLD
- 4 = GND

FEMALE END VIEW (J2)



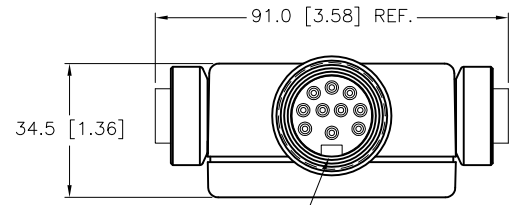
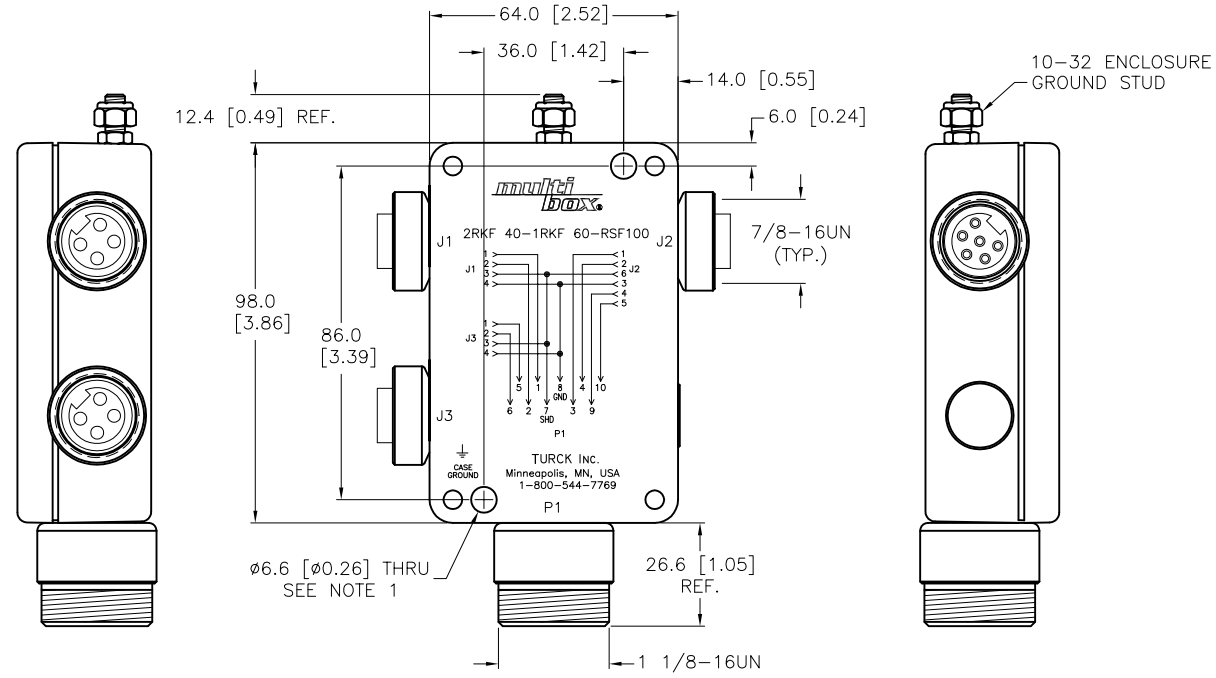
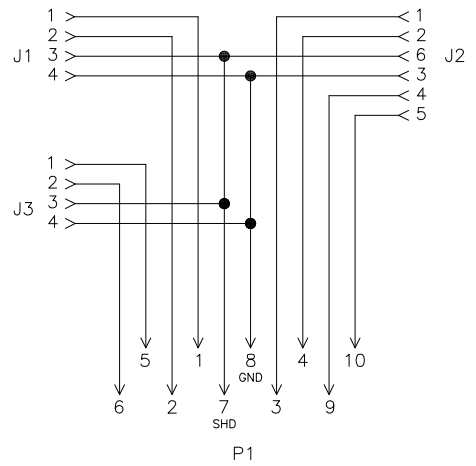
- 1 = V-
- 2 = V+
- 3 = GND
- 4 = V-
- 5 = V+
- 6 = SHLD

SPECIFICATIONS

HOUSING MATERIAL	DIE-CAST ALUMINUM ALLOY
HOUSING FINISH/COLOR	POWDER COAT/BLACK
RECEPTACLE HOUSINGS	NICKEL-PLATED BRASS
CONTACT CARRIERS/COLOR (J1-J3)	TPU/BLACK
CONTACT CARRIER/COLOR (P1)	TPU/YELLOW
CONTACTS	BRASS/GOLD
OPERATING VOLTAGE	300 V
OPERATING CURRENT	7.0 AMPS PER PORT
PROTECTION CLASS to DIN 40050	IP 67 - ONLY WHEN ALL RECEPTACLES ARE COVERED WITH PLUGS OR CONNECTED
OPERATING TEMPERATURE	-30°C to +80°C (-22°F to +176°F)



WIRING DIAGRAM



NOTES:
 1. CLEARANCE HOLE FOR 1/4-20 MOUNTING SCREWS (2 NOT INCLUDED).
 KEYWAY CAN BE AT ANY POSITON

SOURCE DRAWING - FOR REFERENCE ONLY

RELATED DOCUMENTS 1. 2. 3. 4.	3RD ANGLE PROJECTION 	THIS DRAWING IS CONFIDENTIAL AND THE PROPERTY OF TURCK INC. USE OF THIS DOCUMENT WITHOUT WRITTEN PERMISSION IS PROHIBITED.		3000 CAMPUS DRIVE MINNEAPOLIS, MN 55441 1-800-544-7769 (763) 553-7300 (763) 553-0708 fax turck.com		
		DRFT	RDS	DATE	01/30/09	DESCRIPTION
MATERIAL	SEE SPECIFICATIONS	DSGN	SCALE	1=2.0	IDENTIFICATION NO.	U3-10837
FINISH	SEE SPECIFICATIONS	UNIT OF MEASUREMENT MILLIMETER [INCH]		REV	C	
		CONTACT TURCK FOR MORE INFORMATION		DO NOT SCALE THIS DRAWING		FILE: U3-10837
				SHEET 1 OF 1		

C	REMOVE TRADEMARKED MATERIAL REFERENCES	CBM	11/16/12	40471
REV	DESCRIPTION	BY	DATE	ECO NO.